

ACO Industrial

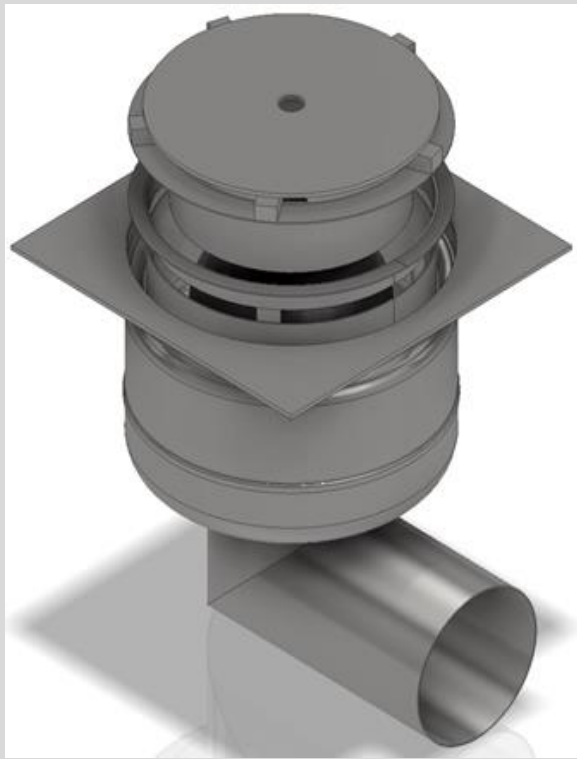
Floor Drainage

RO200 range

Rofo™

A brand of the ACO Group





## Product range

## and Specification

### RO200H NW100 range

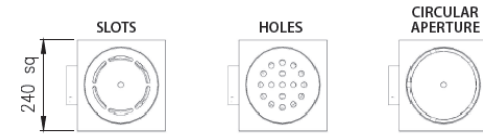
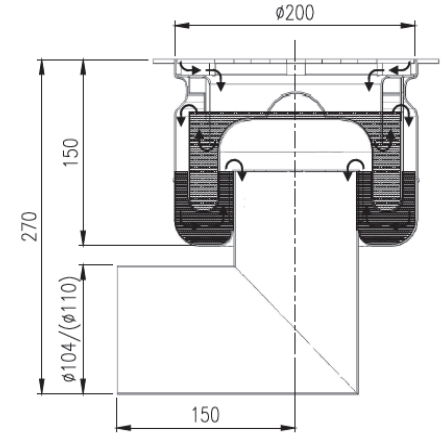
Full Flow Floor Trap with the following features:

- Manufactured from Stainless Steel 304 to ensure acid corrosion and stain resistance
- A double water seal to ensure odor-free operation
- Smooth surfaces for easy cleaning, minimum dirt collection and high flow rates
- A large sludge box which contains coarse slurry
- Easy to dismantle
- The discharge pipe is fully accessible once the drain has been dismantled
- Top flange type: Round (for epoxy floors) or Square (for tiled floors)
- Optional perforated outlet cap
- Top cover plate type: Slots/ Holes or Circular Aperture – as required
  - Flow rate: 3l/sec
  - Load capacity : 1000 kg
  - Outlet position: Bottom Horizontal
  - Outlet pipe outside diameter: 104/110mm

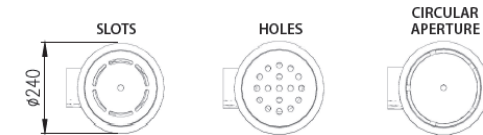
NOTE: Floor finish to be specified

#### Typical applications:

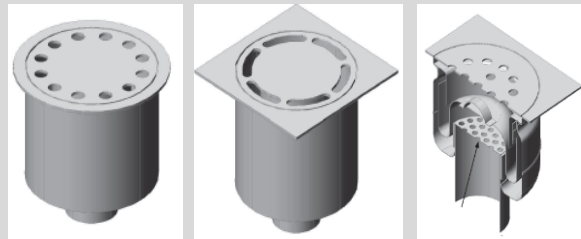
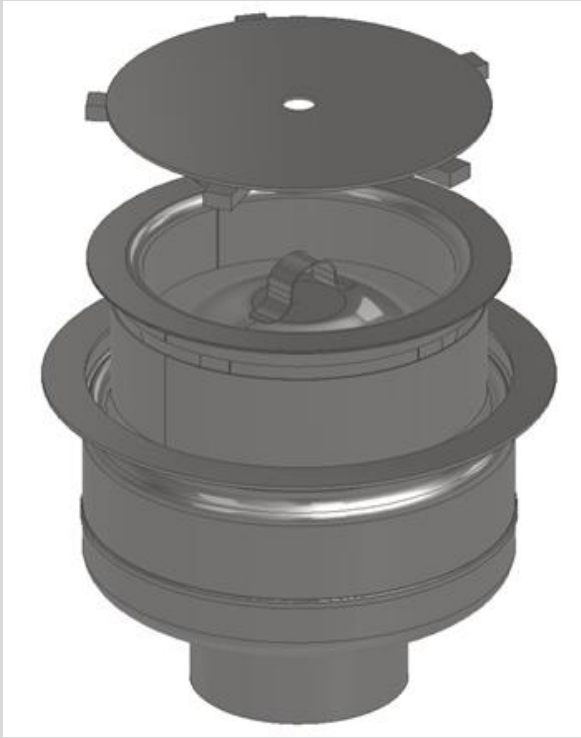
Dining Halls, Nursing Homes, Cold rooms



SQUARE FLANGE FOR TILES FLOORS



ROUND FLANGE FOR EPOXY FLOORS



## Product range

## and Specification

### RO200V NW100 range

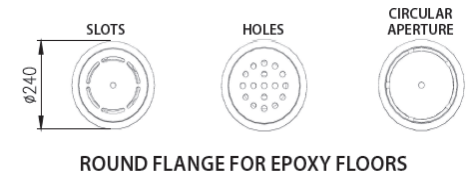
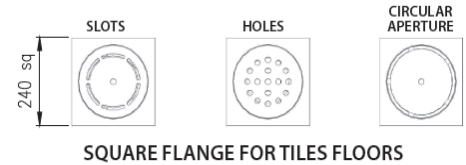
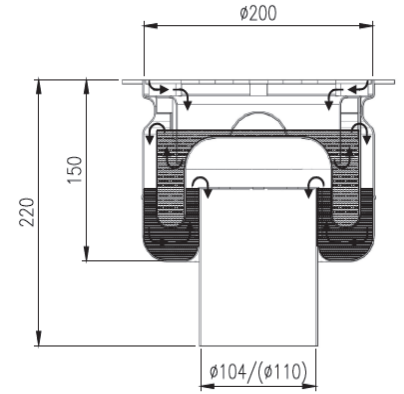
Full Flow Floor Trap with the following features:

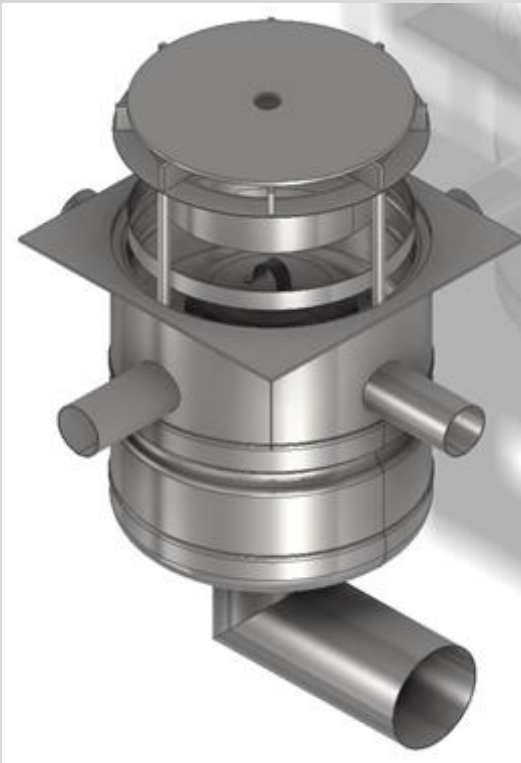
- Manufactured from Stainless Steel 304 to ensure acid corrosion and stain resistance
- A double water seal to ensure odor-free operation
- Smooth surfaces for easy cleaning, minimum dirt collection and high flow rates
- A large sludge box which contains coarse slurry
- Easy to dismantle
- The discharge pipe is fully accessible once the drain has been dismantled
- Top flange type: Round (for epoxy floors) or Square (for tiled floors)
- Optional Perforated outlet cap
- Top cover plate type: Slots/ Holes or Circular Aperture – as required
  - Flow rate: 3l/sec
  - Load capacity : 1000 kg
  - Outlet position: Bottom Vertical
  - Outlet pipe outside diameter: 104/110mm

NOTE: Floor finish to be specified

#### Typical applications:

Dining Halls, Nursing Homes, Cold rooms





## Product range

## and Specification

### RO200 SH NW100 range 1-4 side inlets

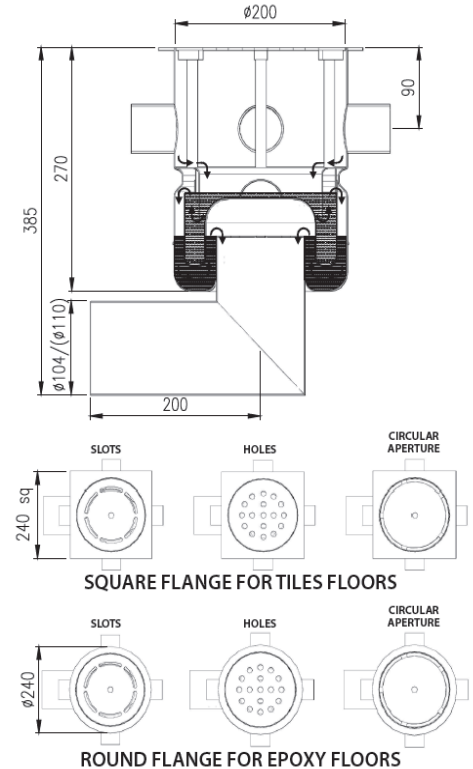
Full Flow Floor Trap with the following features:

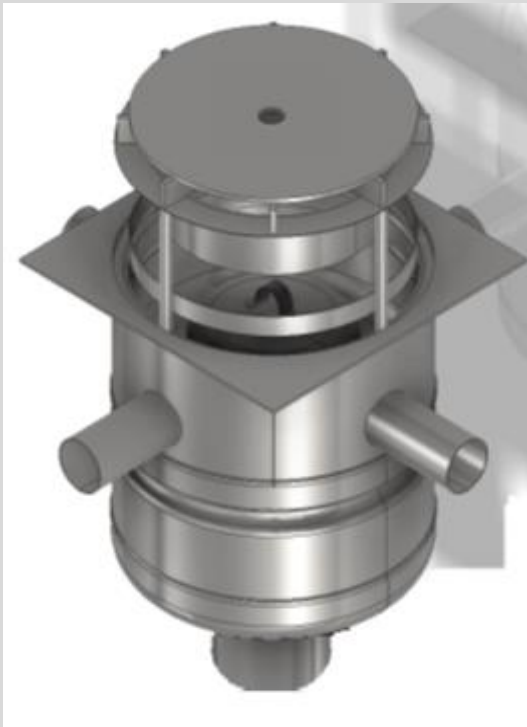
- Manufactured from Stainless Steel 304 to ensure acid corrosion and stain resistance
- A double water seal to ensure odor-free operation
- Smooth surfaces for easy cleaning, minimum dirt collection and high flow rates
- A large sludge box which contains coarse slurry
- The discharge pipe is fully accessible once the drain has been dismantled
- Easy to dismantle
- Optional perforated outlet cap
- Top flange type: Round (for epoxy floors) or Square (for tiled floors)
- Top cover plate type: Slots/ Holes or Circular Aperture – as required
- Extension for side inlets: 1,2,3 or 4 inlets
  - Flow rate: 3l/sec
  - Load capacity : 1000 kg
  - Outlet position: Bottom Horizontal
  - Outlet pipe outside diameter: 104/110mm

NOTE: Floor finish to be specified

#### Typical applications:

Where there is a need to connect sinks directly to floor trap under the ground





## Product range

## and Specification

### RO200 SV NW100 range 1-4 side inlets

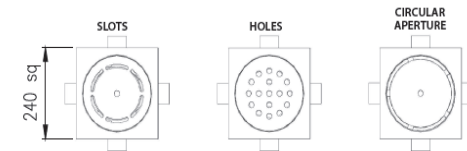
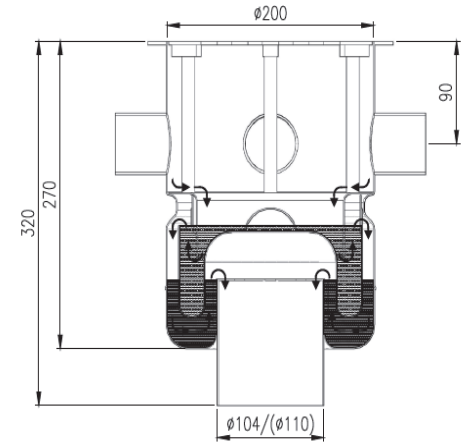
Full Flow Floor Trap with the following features:

- Manufactured from Stainless Steel 304 to ensure acid corrosion and stain resistance
- A double water seal to ensure odor-free operation
- Smooth surfaces for easy cleaning, minimum dirt collection and high flow rates
- A large sludge box which contains coarse slurry
- The discharge pipe is fully accessible once the drain has been dismantled
- Easy to dismantle
- Optional perforated outlet cap
- Top flange type: Round (for epoxy floors) or Square (for tiled floors)
- Top cover plate type: Slots/ Holes or Circular Aperture – as required
- Extension for side inlets: 1,2,3 or 4 inlets
  - Flow rate: 3l/sec
  - Load capacity : 1000 kg
  - Outlet position: Bottom Vertical
  - Outlet pipe outside diameter: 104/110mm

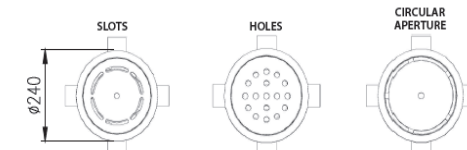
NOTE: Floor finish to be specified

### Typical applications:

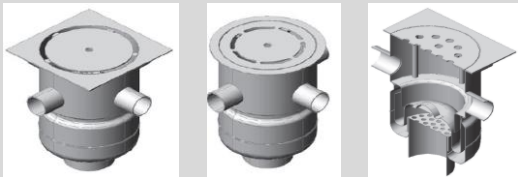
Where there is a need to connect sinks directly to floor trap under the ground



SQUARE FLANGE FOR TILES FLOORS



ROUND FLANGE FOR EPOXY FLOORS



## Product range

## and Specification

### RO200H NW100 Heavy Duty

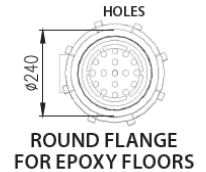
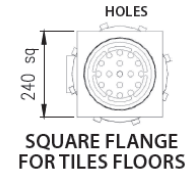
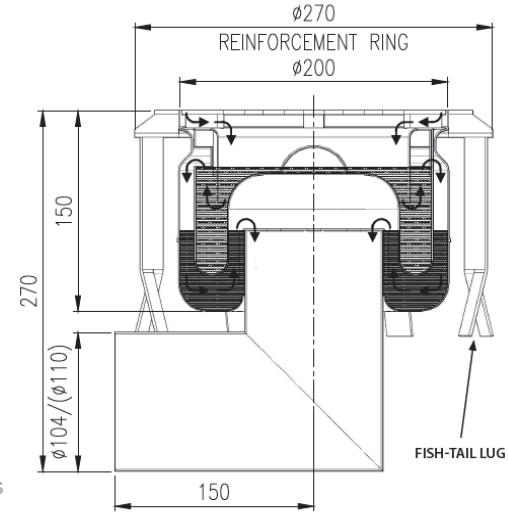
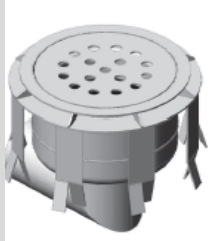
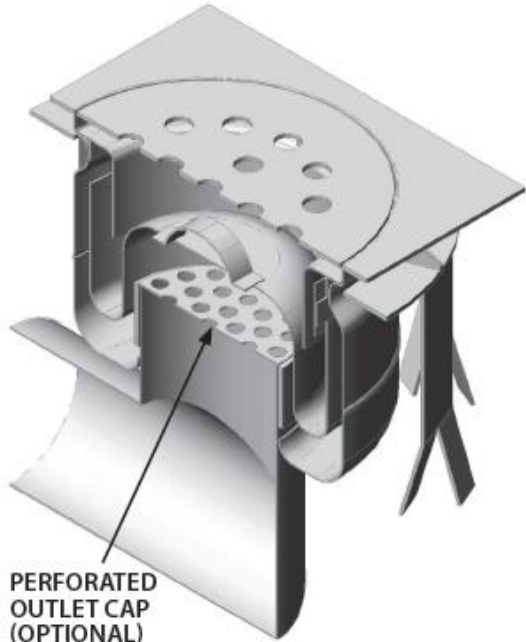
Full Flow Floor Trap with the following features:

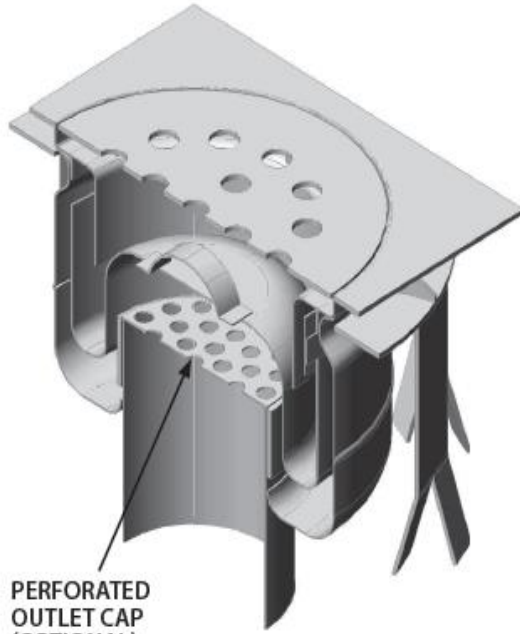
- Manufactured from Stainless Steel 304 to ensure acid corrosion and stain resistance
- A double water seal to ensure odor-free operation
- Smooth surfaces for easy cleaning, minimum dirt collection and high flow rates
- A large sludge box which contains coarse slurry
- Easy to dismantle
- The discharge pipe is fully accessible once the drain has been dismantled
- Top flange type: Round (for epoxy floors) or Square (for tiled floors)
- Optional Perforated outlet cap
- Top cover plate type: Holes
  - Flow rate: 3l/sec
  - Load capacity : 2500 kg
  - Outlet position: Bottom Horizontal
  - Outlet pipe outside diameter: 104/110mm

NOTE: Floor finish to be specified

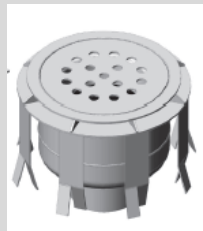
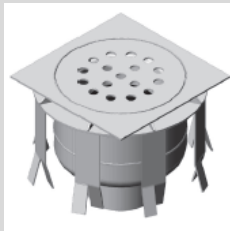
#### Typical applications:

Wherever there is a need for higher load capacity, such as general food processing etc.





PERFORATED  
OUTLET CAP  
(OPTIONAL)



## Product range

## and Specification

### RO200V NW100 Heavy Duty

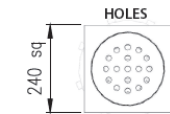
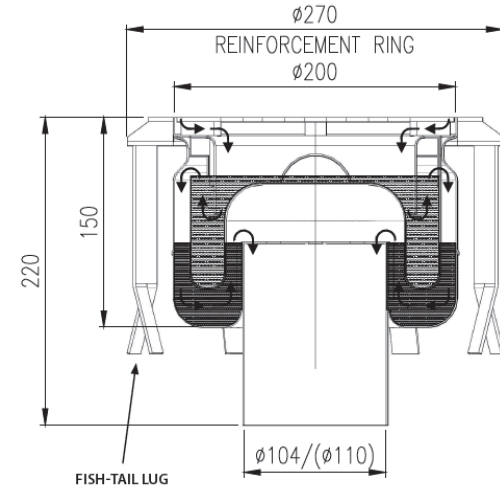
Full Flow Floor Trap with the following features:

- Manufactured from Stainless Steel 304 to ensure acid corrosion and stain resistance
- A double water seal to ensure odor-free operation
- Smooth surfaces for easy cleaning, minimum dirt collection and high flow rates
- A large sludge box which contains coarse slurry
- Easy to dismantle
- The discharge pipe is fully accessible once the drain has been dismantled
- Top flange type: Round (for epoxy floors) or Square (for tiled floors)
- Optional Perforated outlet cap
- Top cover plate type: Holes
  - Flow rate: 3l/sec
  - Load capacity : 2500 kg
  - Outlet position: Bottom Vertical
  - Outlet pipe outside diameter: 104/110mm

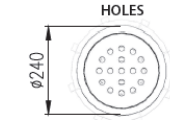
NOTE: Floor finish to be specified

#### Typical applications:

Wherever there is a need for higher load capacity, such as general food processing etc.



SQUARE FLANGE  
FOR TILES FLOORS



ROUND FLANGE  
FOR EPOXY FLOORS



## Product range

## and Specification

### RO200H NW100 Heavy Duty with Grating

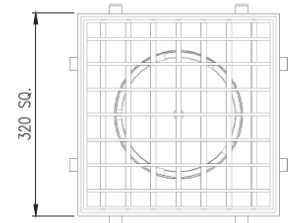
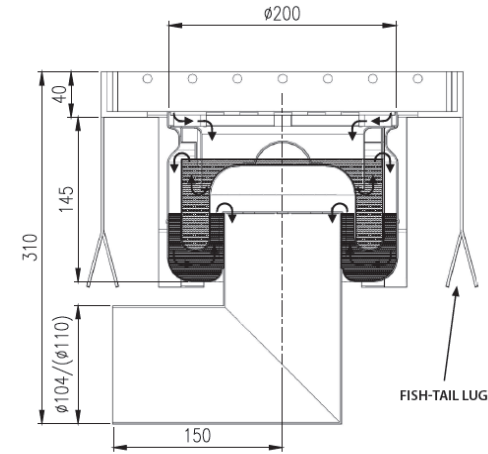
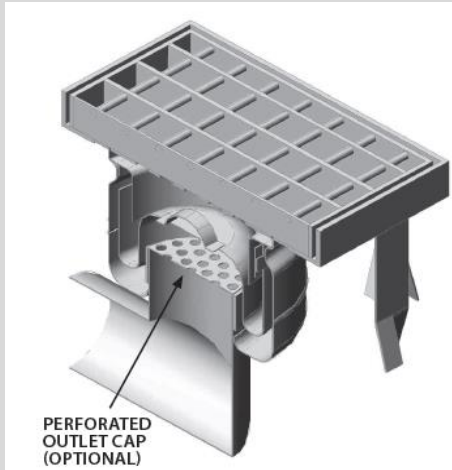
Full Flow Floor Trap with the following features:

- Manufactured from Stainless Steel 304 to ensure acid corrosion and stain resistance
- A double water seal to ensure odor-free operation
- Smooth surfaces for easy cleaning, minimum dirt collection and high flow rates
- A large sludge box which contains coarse slurry
- Easy to dismantle
- The discharge pipe is fully accessible once the drain has been dismantled
- Top flange type: Square (for tiled floors)
- Optional Perforated outlet cap
- Grating frame type: Square
- Top cover plate type: Slots/ Holes or Circular Aperture – as required
  - Flow rate: 3l/sec
  - Load capacity : 2500 kg
  - Outlet position: Bottom Horizontal
  - Outlet pipe outside diameter: 104/110mm

NOTE: Floor finish to be specified

#### Typical applications:

Wherever there is a need for higher load capacity, such as packaging facilities etc.



SQUARE FLANGE FOR TILES FLOORS



Product range

and Specification

## RO200V NW100 Heavy Duty with Grating

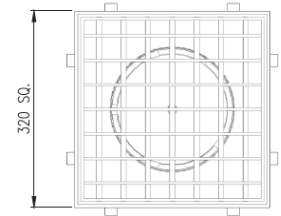
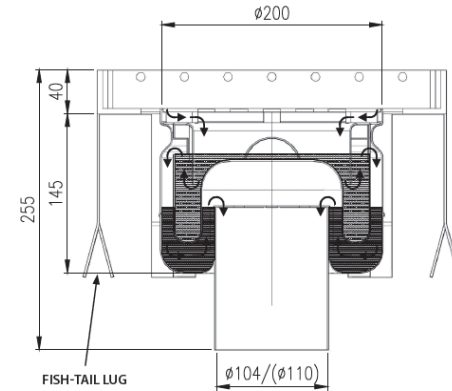
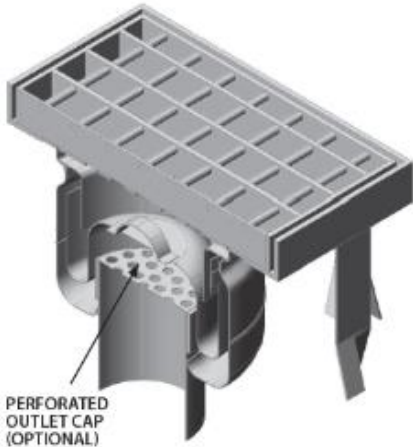
Full Flow Floor Trap with the following features:

- Manufactured from Stainless Steel 304 to ensure acid corrosion and stain resistance
- A double water seal to ensure odor-free operation
- Smooth surfaces for easy cleaning, minimum dirt collection and high flow rates
- A large sludge box which contains coarse slurry
- Easy to dismantle
- The discharge pipe is fully accessible once the drain has been dismantled
- Top flange type: Square (for tiled floors)
- Optional Perforated outlet cap
- Grating frame type: Square
- Top cover plate type: Slots/ Holes or Circular Aperture – as required
  - Flow rate: 3l/sec
  - Load capacity : 2500 kg
  - Outlet position: Bottom Vertical
  - Outlet pipe outside diameter: 104/110mm

NOTE: Floor finish to be specified

### Typical applications:

Wherever there is a need for higher load capacity, such as packaging facilities etc.



SQUARE FLANGE FOR TILES FLOORS

## Your local sales contact

ACO Systems SA  
122 Shad Road  
Wadeville Ext 2  
Germiston  
Gauteng  
South Africa  
0157

Tel: +27 11 824 3525/6  
Email: [info@aco.co.za](mailto:info@aco.co.za)

ACO Systems Western / Northern Cape  
Contact: Jean de Villiers  
Email: [jdevilliers@aco.co.za](mailto:jdevilliers@aco.co.za)  
Tel: +27 84 351 3525

ACO Systems KZN / Eastern Cape  
Contact: Antonio Ravell  
Email: [aravell@aco.co.za](mailto:aravell@aco.co.za)  
Tel: +27 83 273 6299

ACO Systems SADC  
Contact: Rui de Almeida  
Email: [rdealmeida@aco.co.za](mailto:rdealmeida@aco.co.za)  
Tel: +27 64 754 7890

[www.aco.co.za](http://www.aco.co.za)  
[www.buildingdrainage.aco](http://www.buildingdrainage.aco)  
[www.hygienefirst.com](http://www.hygienefirst.com)

## Every product from ACO supports the ACO system chain

- Drainage channels and gratings
- Road and point drainage
- Access covers
- Manhole covers
- Oil separators
- Grease separators
- Bridge drains
- Parking area drainage
- Sport facility drainage

